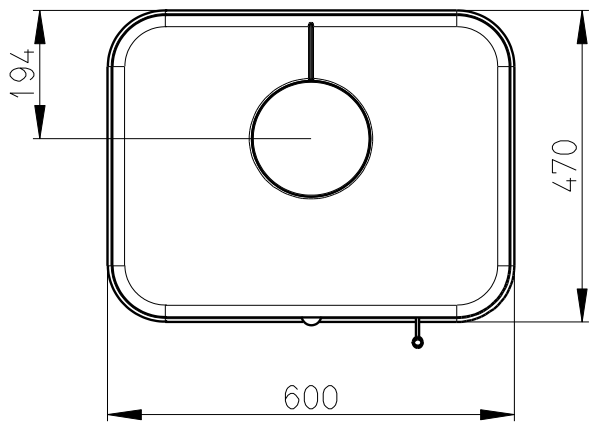
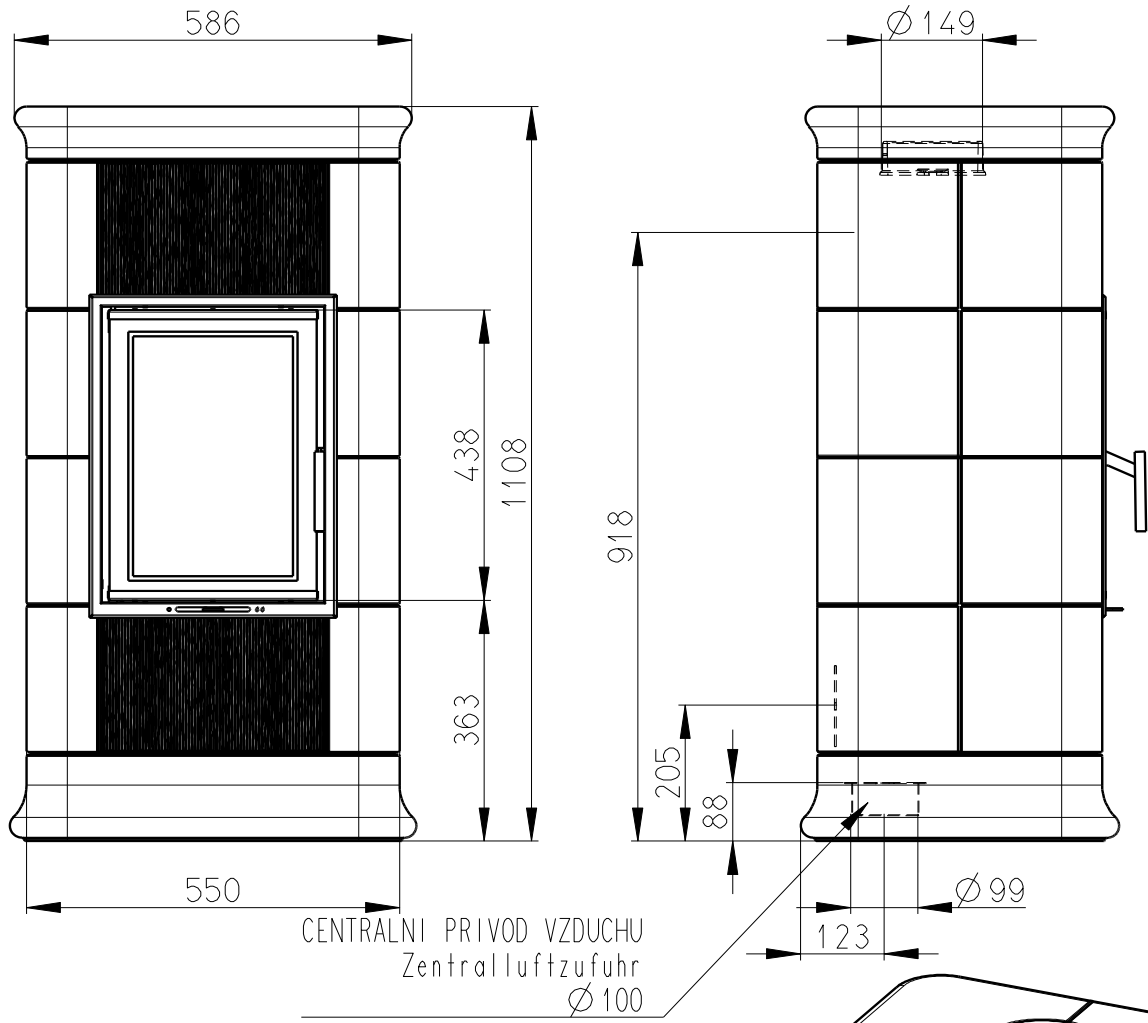
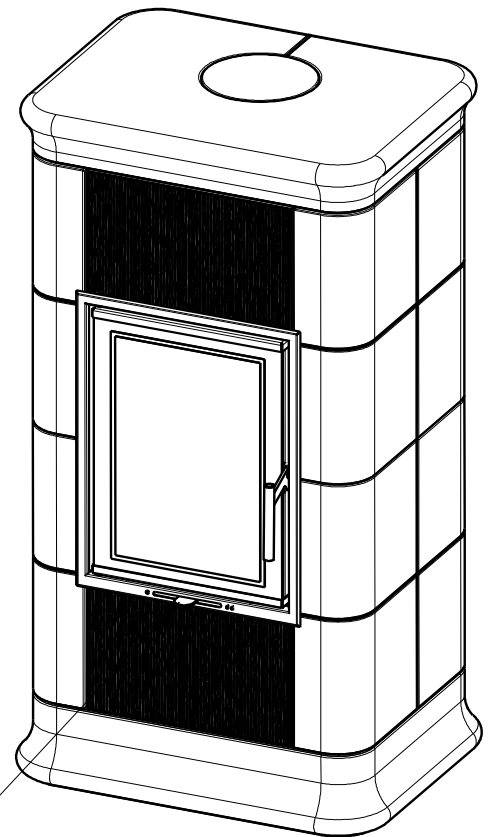


MALAGA N01



PRIMARNI VZDUCH
Primärluft
UND
SEKUNDARNI VZDUCH
Sekundärluft



Artikl	MALAGA N01
--------	------------

General data

Nominal heat output	kW	4	7
Efficiency	%	80,3	78,9
Mass of the test fuel fired hourly	kg/h	1,15	2,11
Dry flue gases mass flow	g/s	2,9	5,7
Mean flue gas temperature	°C	247	314
Flue draught	Pa	12	
Weight	kg	194	
CO ₂	%	8,97	11,35
Dust O ₂ =13%	mg/m ³	37	37
CO O ₂ =13%	mg/m ³	1093	708

Recommended values

Reg.output	kW	2-10
Max. mass of the test fuel fired hourly	kg/h	2,8
Flue gas connector diameter	mm	150

Meets requirement limit values for

EN 13 240	•
BImSch V 1	•
BImSch V 2	•
DIN plus	•
15a B-VG	4kW(●),7kW(-)

Supplied accessories

Holder with magnet	•
Ashtray	•